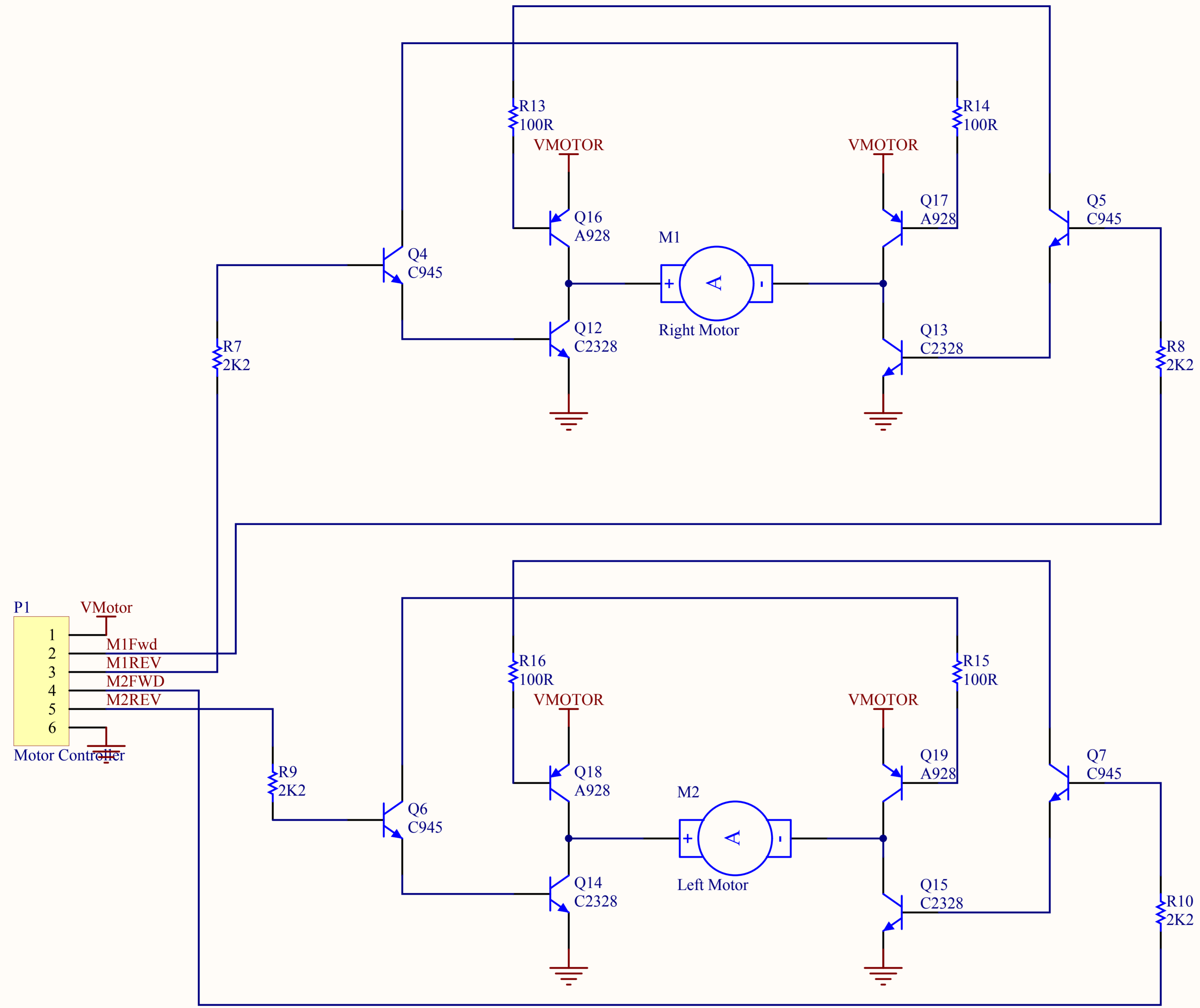
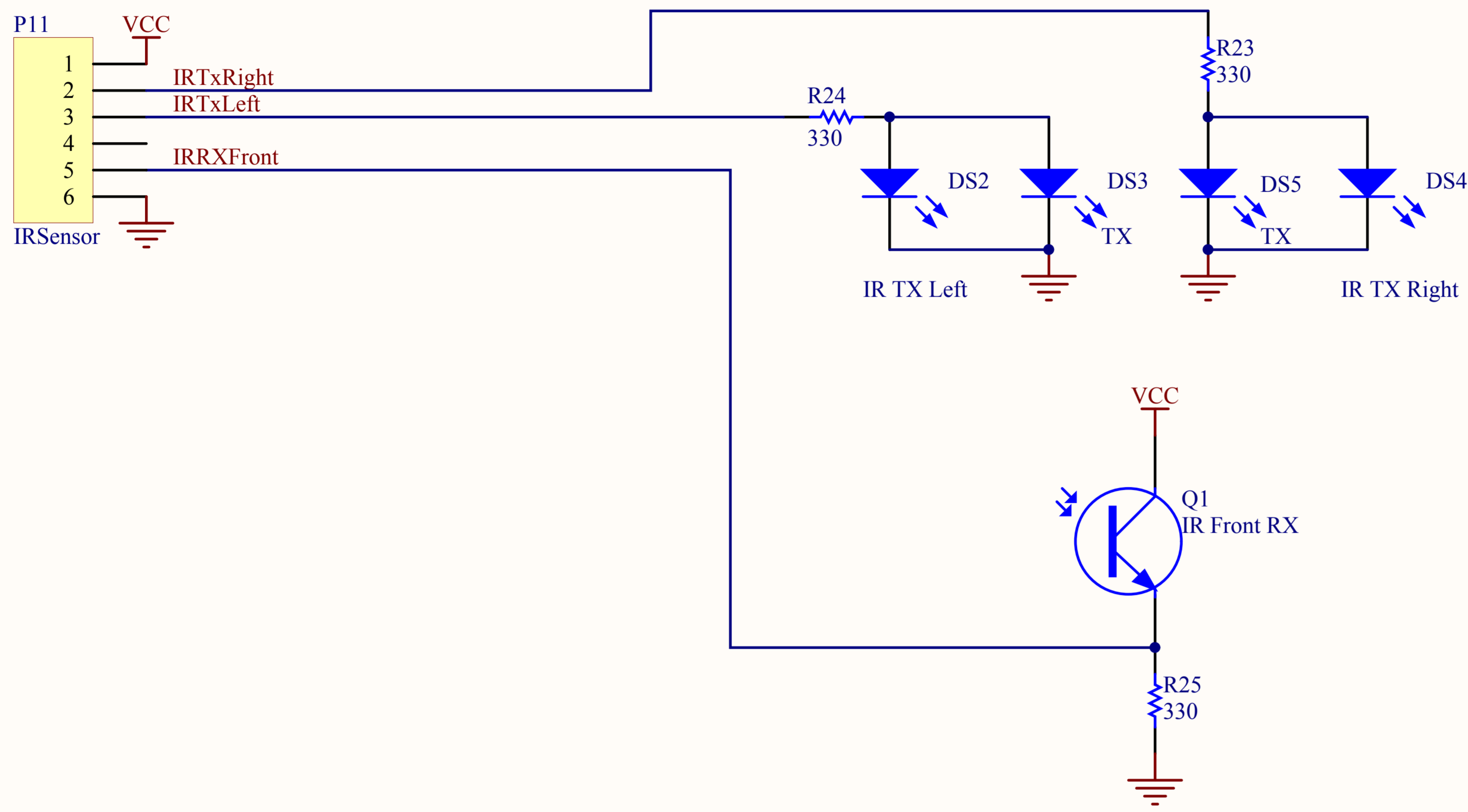


Title		
BuzzBot - CPU Board		
Size	Number	Revision
A4		
Date:	8/02/2006	Sheet of
File:	C:\Documents and Settings\...CPU.SCHDO	Drawn By:



Title		
BuzzBot Motor Drive Board - asbuilt from Buzz RC Buggy		
Size	Number	Revision
A4		
Date:	8/02/2006	Sheet of
File:	C:\Documents and Settings\...h-bridge.SCH	Drawn By:

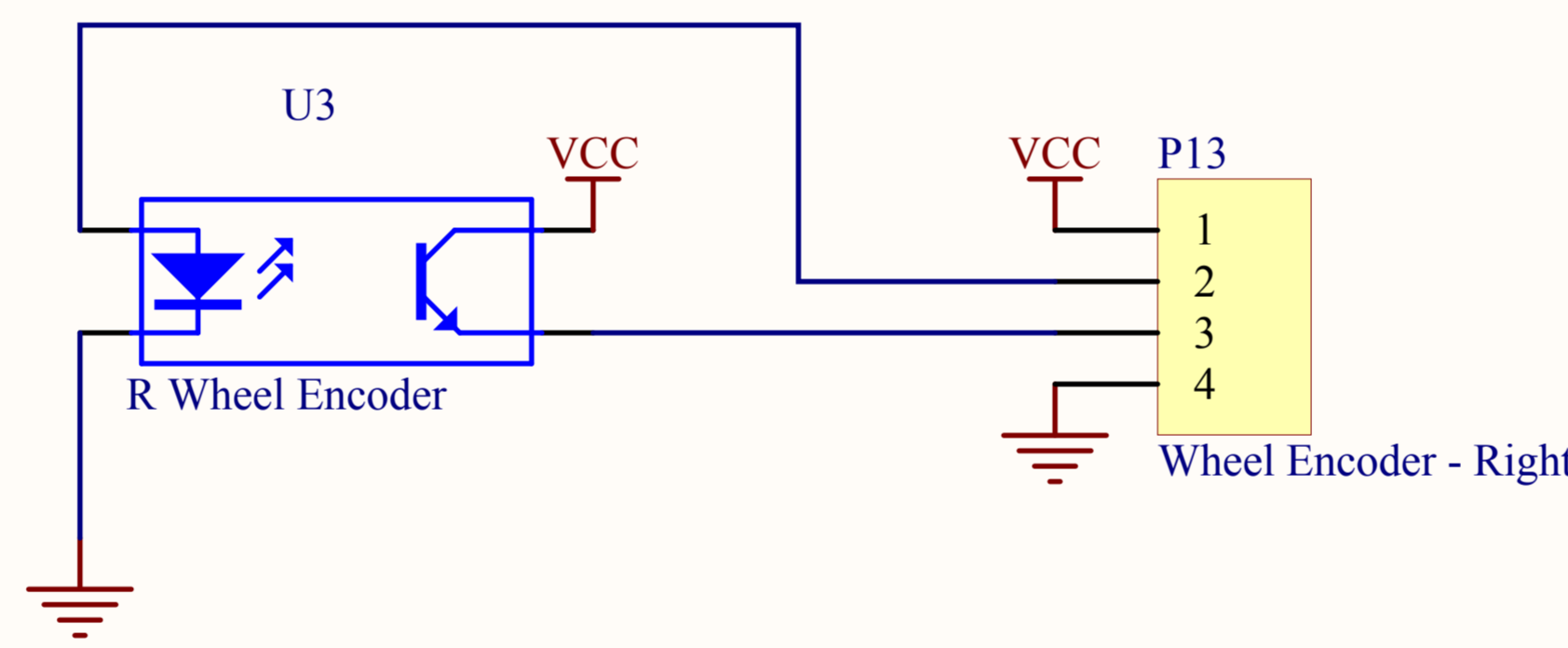
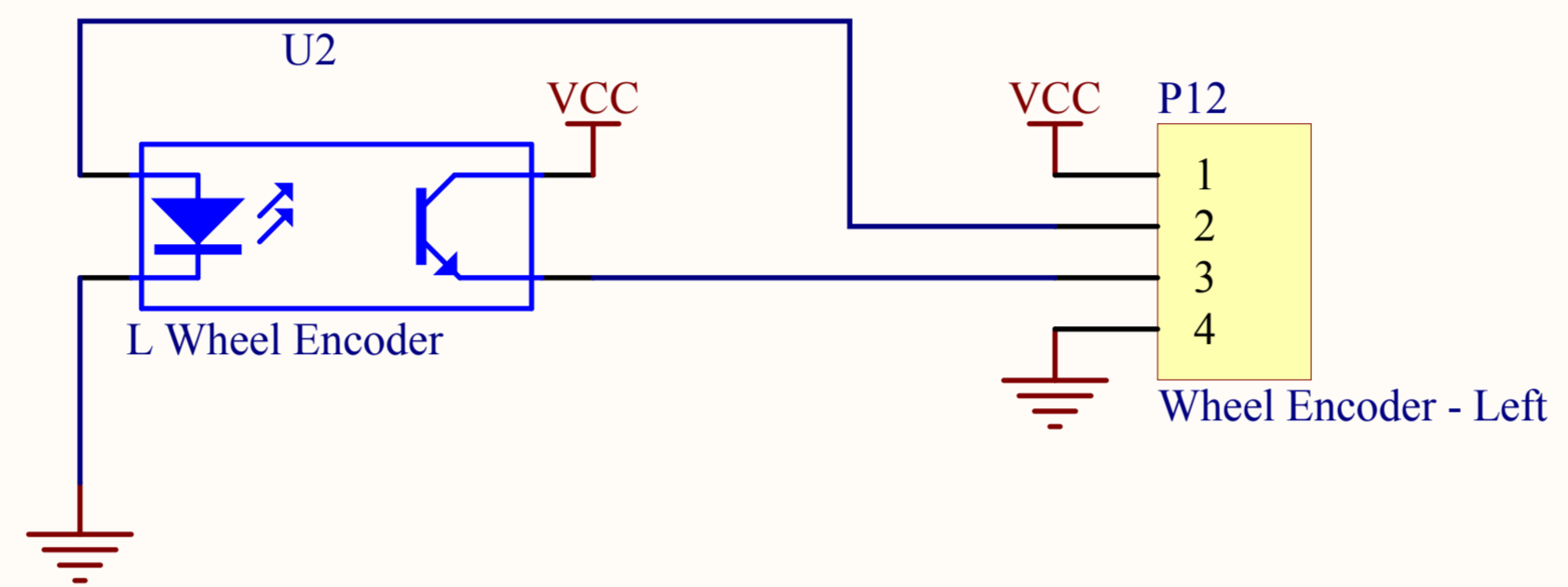


▲ Detects Left and Right (also front if both left and right bits are on)

1. turn off all IRTx
2. turn on Left IrTx
3. Read IrRxFront
4. Turn off Left IrTx
5. Turn on Right IrTx
6. Read IrRxFront
7. Turn off IrRightTx

bit 0 = Left  
bit 1 = Right

Title		
Buzzbot Infrared Sensors		
Size	Number	Revision
A4		
Date:	8/02/2006	Sheet of
File:	C:\Documents and Settings\...Infrared Sensor	Dr Schi DC



Title		
Wheel Encoders		
Size	Number	Revision
A4		
Date:	8/02/2006	Sheet of
File:	C:\Documents and Settings\...Wheel Encoders\...DOC	